

MX-SERIES | Gyrotary Crusher

MX-series gyrotary crusher is mainly used in large and very large primary crushing, MX-series gyrotary crusher has a unique crushing cavity design to ensure the best production capacity. The processing capacity range of single machine is ranging from 1500 t/h to 7500t/h.



MX-SERIES

Technical Data Sheet

GYRATORY CRUSHER PLANTS

Technical Data Sheet

CE AFRICA | MX-Series - Gyratory Crusher | Capacities - Open Side Settings of Discharge Opening

Machine Size	Feed Opening mm (in)	Pinion RPM	Maximum kW (HP)	125 mm (5.0")	140 mm (5.5")	150 mm (6.0")	165 mm (6.5")	175 mm (7.0")	190 mm (7.5")	200 mm (8.0")	215 mm (8.5")	230 mm (9.0")	240 mm (9.5")	250 mm (10.0")
MX 42-65	1065 (42)	600	375 (500)	-	2010 (2220)	2335 (2575)	2515 (2775)	2870 (3165)	-	-	-	-	-	-
MX 50-65	1270 (50)	600	375 (500)	-	-	2395 (2645)	2780 (3065)	2935 (3240)	-	-	-	-	-	-
MX 54-75	1370 (54)	600	450 (600)	-	-	2885 (3185)	2985 (3295)	3145 (3470)	3335 (3680)	3485 (3845)	-	-	-	-
MX 62-75	1575 (62)	600	450 (600)	-	-	2890 (3190)	3615 (3985)	3815 (4210)	4205 (4640)	4330 (4775)	-	-	-	-
MX 60-89	1525 (60)	600	600 (800)	-	-	-	4195 (4625)	4540 (5005)	5080 (5600)	5295 (5840)	5530 (6100)	5805 (6400)	-	-
MX 60-110E	1525 (60)	600	1200 (1 600)	-	-	-	-	5535 (6100)	6945 (7655)	7570 (8345)	7570 (8345)	8280 (9130)	8595 (9475)	8890 (9800)

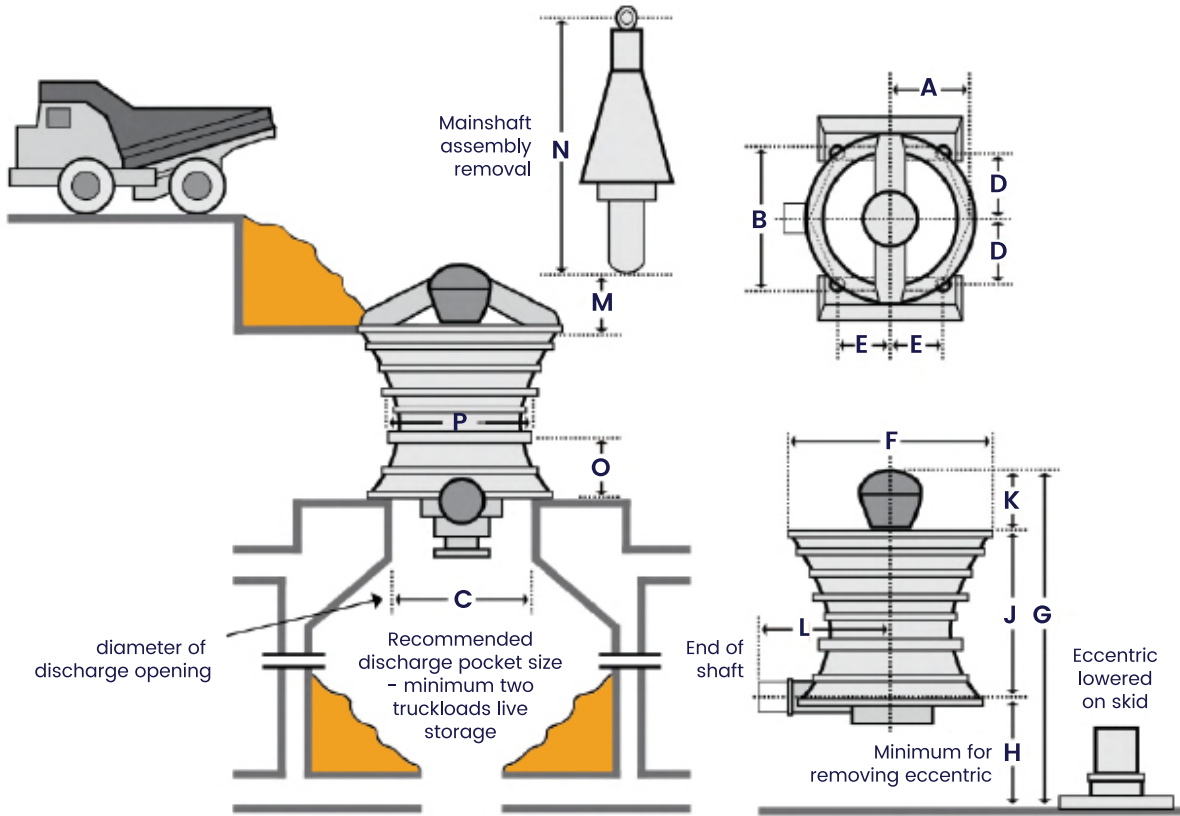


CE AFRICA | MX-Series - Gyratory Crusher | Dimensions

Crusher Size		A	B	C	D	E	F	G	H	J	K	L	M	N	O	P
MX 42-65	cm ft. in.	167.6 5-5	358.1 11-9	261.6 8-7	166.4 5-5 ½	152.4 5-0	393.7 12-11	689.9 22-7%	209.2 6-10%	338.5 11-1¼	142.2 4-8	219.4 7-0%	15.2 6	457.8 15-0%	125.1 4-0%	301.0 9-10%
MX 50-65	cm ft. in.	167.6 5-5	358.1 11-9	261.6 8-7	166.4 5-5 ½	152.4 5-0	445.8 14-7%	760.7 24-11½	209.2 6-10%	400.6 15-1½	150.7 4-11 ¾	219.4 7-2½	15.2 0-6	520.0 17-0%	125.1 4-0%	301.0 9-10%
MX 54-75	cm ft. in.	204.4 6-8 ½	439.4 14-5	322.9 10-7%	207.0 6-9 ½	174.0 5-8 ½	492.8 16-2	840.5 27-6%	244.8 8-0%	435.0 14-3%	160.7 5-3%	245.4 8-0%	15.2 6	563.5 18-5%	145.4 4-9%	358.1 11-9
MX 62-75	cm ft. in.	204.4 6-8 ½	439.4 14-5	322.9 10-7%	207.0 6-9 ½	174.0 5-8 ½	557.4 18-3%	908.1 29-9%	244.8 8-0%	503.7 16-6 ¾	159.6 5-2%	245.4 8-0%	15.2 0-6	618.6 20-3%	145.4 4-9%	358.1 11-9
MX 60-89	cm ft. in.	228.6 7-6	513.1 16-10	374.6 12-3 ½	241.3 7-11	175.3 5-9	558.8 18-4	1046.9 34-4%	299.7 9-10	536.6 17-7%	210.8 6-11	264.8 8-8%	15.2 6	682.6 22-4%	175.3 5-9	388.6 12-9
MX 60-110E	cm ft. in.	248.9 8-2	548.6 18-0	442.5 14-6	243.8 8-0	218.4 7-2	619.7 20-4	1138.2 37-4%	386.4 2-8%	537.2 17-7%	214.6 7-0%	283.8 9-3%	22.9 9	756.6 25-1%	185.4 6-1	477.5 15-8

CE AFRICA | MX-Series - Gyratory Crusher | Weight

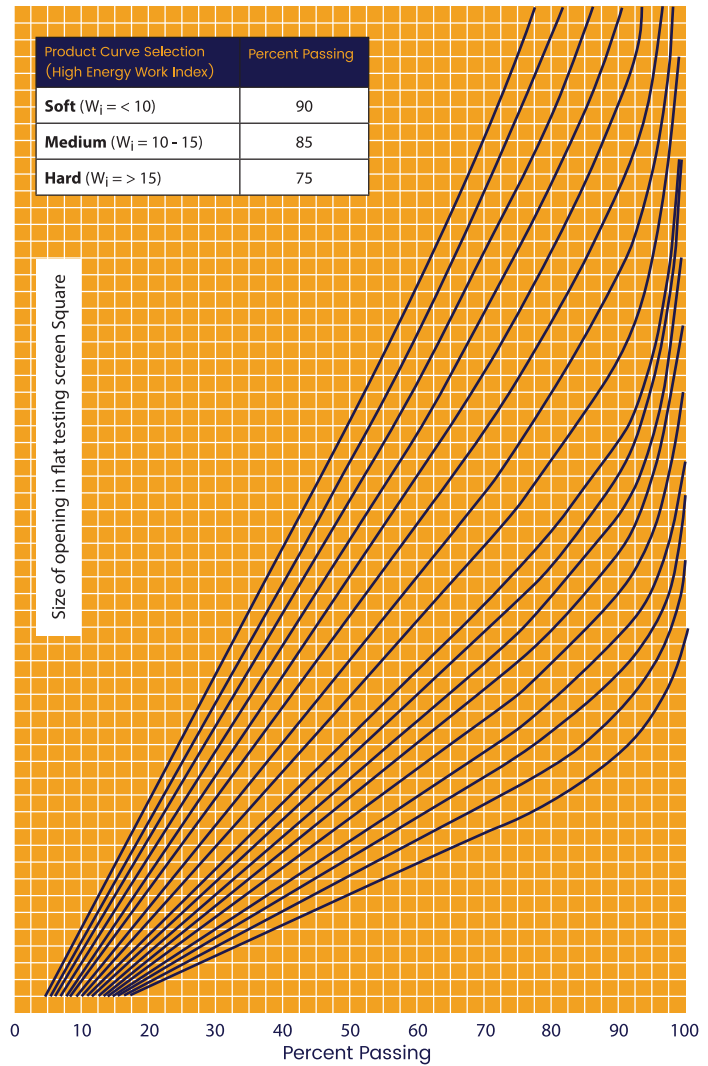
Crusher Size		Total Crusher	Spider Assembly	Top Shell Assembly	Mainshaft Assembly	Bottom Shell Assembly	Mainshaft Position Assembly	Eccentric Assembly
MX 42-65	Kg Pounds	119,750 264,000	20,500 45,200	36,330 80,100	23,130 51,000	29,570 65,200	4,040 8,900	3,080 6,800
MX 50-65	Kg Pounds	153,300 338,000	30,840 68,000	54,880 121,000	28,120 62,000	29,570 65,200	4,040 8,900	3,080 6,800
MX 54-75	Kg Pounds	242,220 534,000	38,100 84,000	85,050 187,500	38,560 85,000	62,140 137,000	5,400 11,900	5,720 12,600
MX 62-75	Kg Pounds	298,460 658,000	69,850 154,000	109,320 241,000	42,180 93,000	62,240 137,200	5,400 11,900	5,720 12,600
MX 60-89	Kg Pounds	398,250 878,000	65,320 144,000	154,680 341,000	66,220 146,000	82,780 182,500	10,430 23,000	8,940 19,700
MX 60-110E	Kg Pounds	553,383 1,220,000	103,964 229,200	169,010 372,600	103,874 229,000	114,986 253,500	21,275 46,900	17,900 39,460



- 190 mm (7 1/2")
- 175 mm (7")
- 165 mm (6 1/2")
- 150 mm (6")
- 140 mm (5 1/2")
- 125 mm (5")
- 115 mm (4 1/2")
- 100 mm (4")
- 90 mm (3 1/2")
- 75 mm (3")
- 65 mm (2 1/2")
- 50 mm (2")
- 40 mm (1 1/2")
- 30 mm (1 1/4")
- 25 mm (1")
- 20 mm (3/4")
- 15 mm (1/2")
- 5 mm (1/4")

Product Curve Selection (High Energy Work Index)	Percent Passing
Soft ($W_i < 10$)	90
Medium ($W_i = 10 - 15$)	85
Hard ($W_i > 15$)	75

Size of opening in flat testing screen Square



CE AFRICA (PTY) LTD
 Reg No. 2020/438525/07
 Vat No. 41 902 921 20

Address: 20 Graniet Rd, Jetpark, Boksburg, 1459
Contact No. (+27) 82 809 4525
Email: info@ce-africa.com