

## **CEA-SERIES** | Impact Crusher

CE Africa CEA Series Impact Crushers is widely used in ore processing of primary crushing and crushing operation, compared to other types of crusher, crushing ratio is larger (crushing ratio can reach up to 10), especially for medium and below rock hardness of material, with low level of reduction stage can get very high crushing ratio.

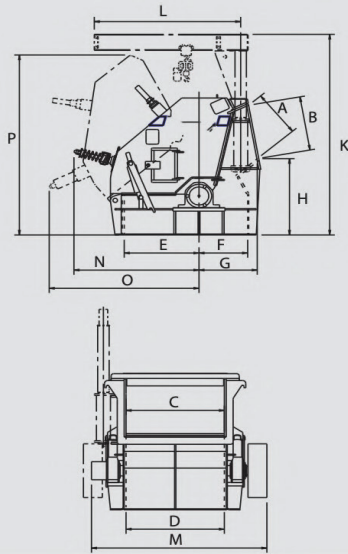


# CEA-SERIES

## Technical Data Sheet

### IMPACT CRUSHER

#### Technical Data Sheet



#### Main Dimensions & Weights

CEA Model		Crusher Complete	Rotor Complete	Rotor Diameter	Rotor Width
Primary Range	CEA1213	17 800 kg 39 249 lbs	6340 kg 13 980 lbs	1 300 mm 51 ¼"	1 300 mm 51 ¼"
	CEA1415	22 330 kg 49 230 lbs	8 165 kg 18 004 lbs	1 400 mm 55 ½"	1 500 mm 59 ½"
	CEA1620	41 240 kg 90 920 lbs	15 980 kg 35 236 lbs	1 600 mm 63"	2 000 mm 78 ¾"
	CEA2023	80 600 kg 177 700 lbs	28 280 kg 62 357 lbs	2 000 mm 78 ¾"	2 300 mm 90 ⅝"
Secondary Range	CEA1110	9 250 kg 20 396 lbs	3 065 kg 6 758 lbs	1 100 mm 43 ¼"	1 000 mm 39 ⅜"
Secondary & Tertiary Range	CEA13	11 700 kg 25 700 lbs	4 850 kg 10 700 lbs	1 200 mm 47 ¼"	1 300 mm 51 ¼"
	CEA15	16 130 kg 35 567 lbs	6 370 kg 14 046 lbs	1 300 mm 51 ¼"	1 500 mm 59 ½"
	CEA20	26 750 kg 58 975 lbs	12 025 kg 26 510 lbs	1 500 mm 59 ⅝"	2 000 mm 78 ¾"

#### Clearance Dimensions (mm/inch)

CEA Model		A	B	C-D	E	F	G	H	K	L	M	N	O	P
Primary Range	CEA1313	1 050 41 ¼"	1 225 48 ¼"	1 320 52"	1 305 51 ½"	760 30"	964 38"	1 386 54 ½"	3 765 148 ½"	2 100 82 ¾"	2 560 100 ¾"	2 340 92 ⅝"	2 764 108 ¾"	3 405 134"
	CEA1415	1 140 44 ⅞"	1 320 52"	1 540 60 ⅝"	1 305 51 ½"	800 31 ½"	998 39 ¼"	1 430 56 ¼"	4 000 157 ½"	2 295 90 ¼"	2 811 111"	2 425 95 ½"	2 830 111"	3 600 141 ¾"
	CEA1620	1 400 55 ⅝"	1 634 64 ¼"	2 040 80 ¼"	1 600 63"	920 36 ¼"	1 270 50"	1 772 69 ¾"	4 950 194 ⅞"	3 000 118 ⅝"	3 820 150"	2 630 103 ½"	3 105 122"	4 400 173 ¼"
	CEA2023	1 720 67 ¾"	1 986 78 ¼"	2 310 91"	2 210 87"	1 140 44 ⅞"	1 631 64 ¼"	2 273 89 ½"	6 000 236 ¼"	3 930 154 ¾"	4 424 174 ¼"	3 520 138 ⅝"	4 100 161 ⅝"	5 514 217"
Secondary Range	CEA1110	710 28"	820 32 ¼"	1 020 40 ⅝"	1 105 43 ½"	652 25 ⅝"	796 31 ¼"	1 125 44 ¼"	3 055 120 ¼"	1 800 70 ⅞"	2 106 82 ⅞"	1 830 72"	2 030 80"	2 716 107"
Secondary & Tertiary	CEA13	560 22"	560 22"	1 320 52"	1 106 43 ½"	705 27 ¾"	797 31 ⅝"	1 558 61 ⅝"	3 481 137"	2 050 120"	2 531 100"	1 980 78"	3 050 120"	2 500 98"
	CEA15	600 23 ⅝"	600 23 ⅝"	1 540 60 ⅝"	1 177 46 ⅝"	700 30 ⅝"	845 33 ¼"	1 670 65 ¾"	3 840 151"	3 055 120"	3 785 110"	2 050 80 ¾"	3 250 127 ⅞"	2 700 106 ¼"
	CEA20	700 27 ⅞"	700 27 ⅞"	2 040 80 ⅝"	1 368 53 ⅝"	885 34 ⅞"	974 38 ⅝"	1 932 76 ⅞"	4 157 163 ⅞"	4 000 157 ½"	3 720 146 ⅞"	2 284 89 ⅞"	3 663 144 ⅜"	3 088 121 ⅞"

#### Technical Data

CEA Model		Feed Opening	Maximum Feed Size	Nominal Installed Power	Maximum Installed Power
Primary Range	CEA1313	1320 x 1220 mm (52" x 48 ¼")	900 mm (35")	200 kW / 250 hp	250 kW / 350 hp
	CEA1415	1540 x 1320 mm (60 ⅝" x 52")	1 000 mm (40")	250 kW / 350 hp	315 kW / 400 hp
	CEA1620	2 040 x 1 634 mm (80 ¼" x 64 ¼")	1 300 mm (51")	400 kW (2x200 kW) / 500 HP (2x250 hp)	500 kW (2x250 kW) / 700 HP (2x350 hp)
	CEA2023	2 310 x 1 986 mm (91" x 78 ¼")	1 500 mm (59")	1 000 kW (2x500kW) / 1 300 HP (2x650 hp)	1 200 kW (2x600kW) / 1 600 HP (2x800 hp)
Secondary Range	CEA1110	1 020 x 820 mm (40 ⅝" x 32 ¼")	600 mm (24")	160 kW / 200 hp	200 kW / 250 hp
Secondary & Tertiary	CEA13	1 320 x 560 mm (52" x 22")	350 mm (14")	250 kW / 350 hp	315 kW / 400 hp
	CEA15	1 540 x 600 mm (60 ⅝" x 24")	400 mm (16")	315 kW / 400 hp	355 kW / 450 hp
	CEA20	2 040 x 700 mm (80 ⅝" x 27 ⅞")	400 mm (16")	500 kW (2x250 kW) / 700 HP (2x350 hp)	630 kW (2x315 kW) / 800 HP (2x400 hp)



**CE AFRICA (PTY) LTD**  
 Reg No. 2020/438525/07  
 Vat No. 41 902 921 20

**Address:** 20 Graniet Rd, Jetpark, Boksburg, 1459  
**Contact No.** (+27) 82 809 4525  
**Email:** info@ce-africa.com